

# BICYCLE BELL

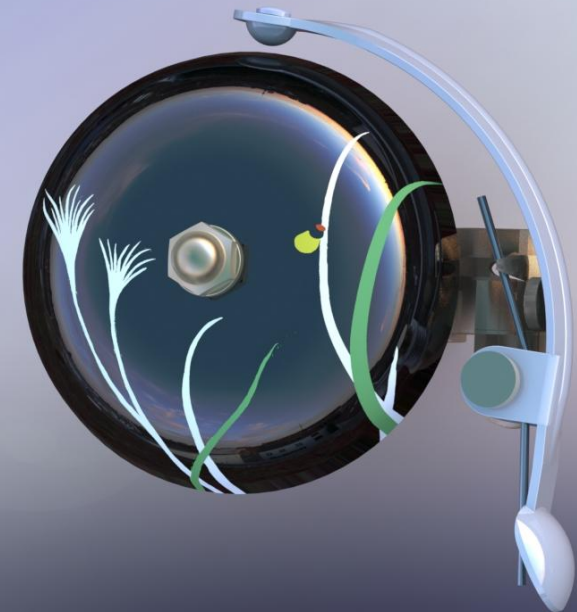
Caroline Praetzel, MCEN 1025, Fall 2021

## *ITEM DESCRIPTION*

- Metal lever, base, & clamp with many bends and curves.
- Hand painted metal dome
- Torsion spring operated ringer

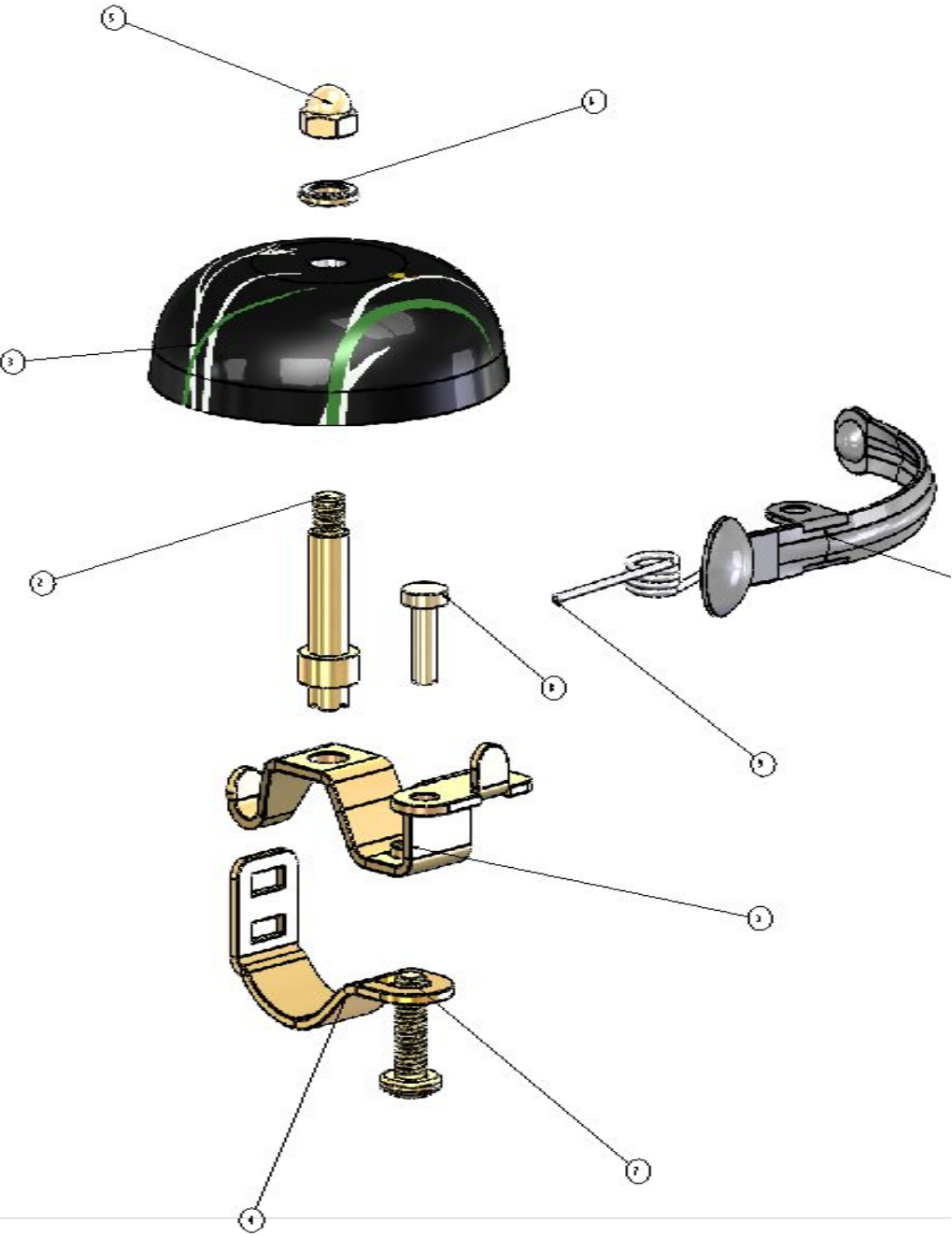
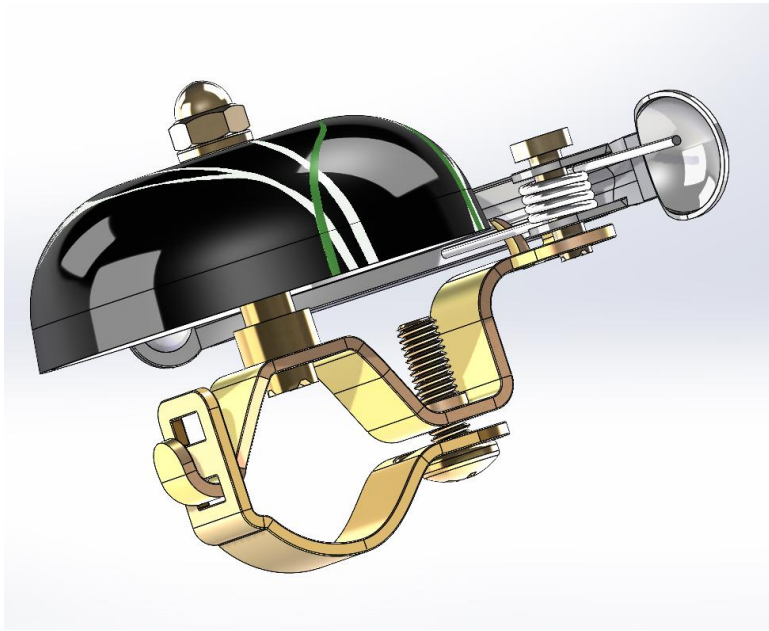
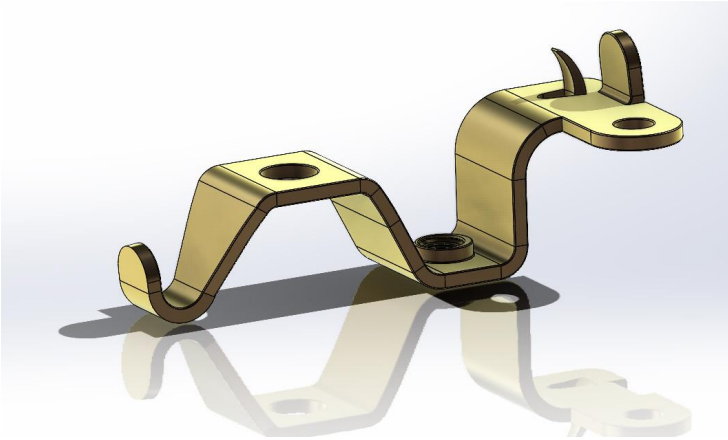
## *CHOSEN BECAUSE.....*

- I just learned that I love biking when I moved here this semester
- Seemed appropriate level of difficulty for a beginner while still having various challenges



# MOST CRITICAL COMPONENT: *BASE*

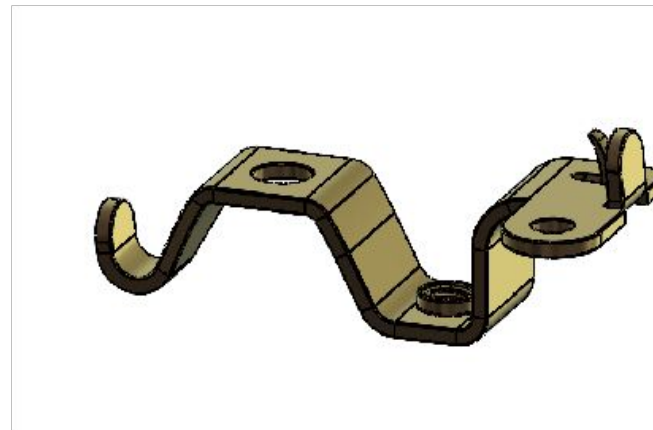
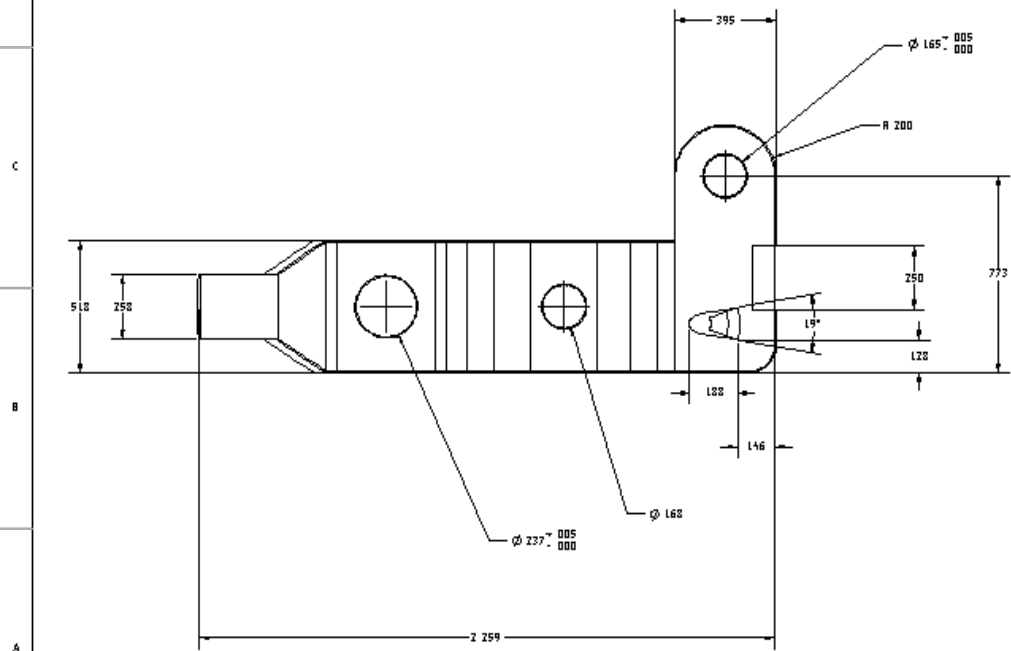
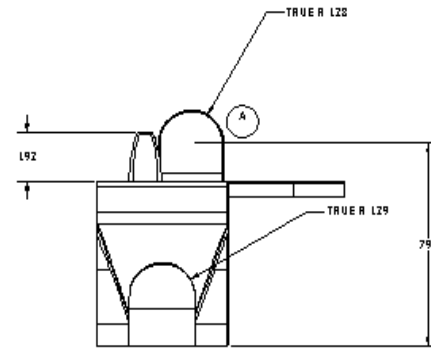
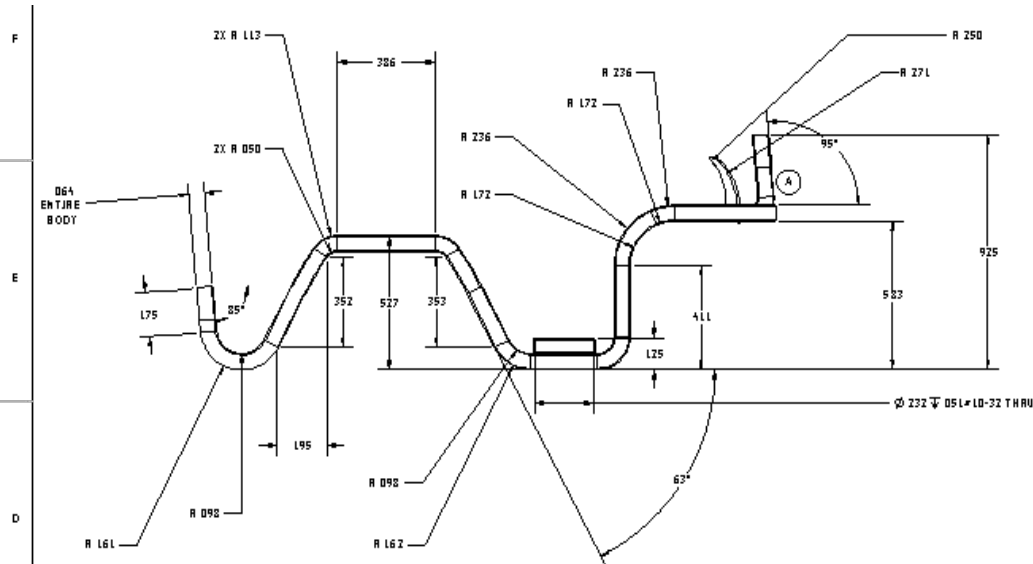
- Holds lever
- Supports dome
- Clamps to handlebars



# MOST DIFFICULT DRAWING: *BASE*

- Super cluttered drawing due to constantly changing radii

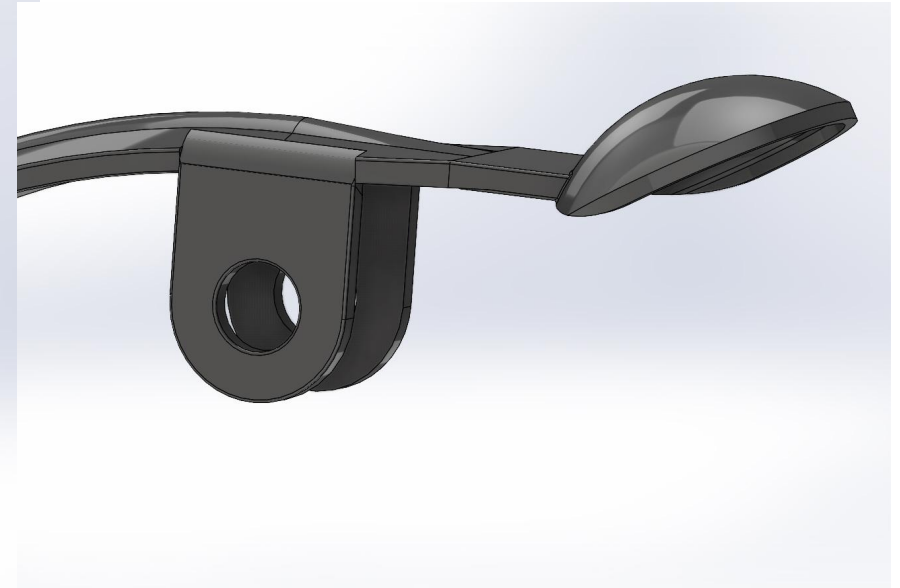
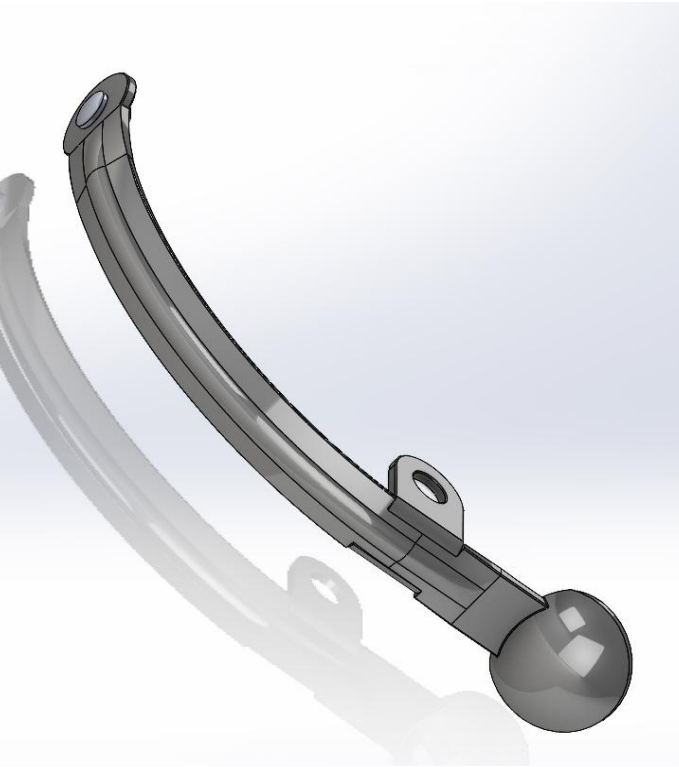
- Difficult to determine if drawing was over or under dimensioned



NOTE:  
 1. BREAK ALL EDGES.  
 A: MANUFACTURE ROUNDED EDGE TAB. BEND UP AT APPROX 90 DEG TO HOLD LEV

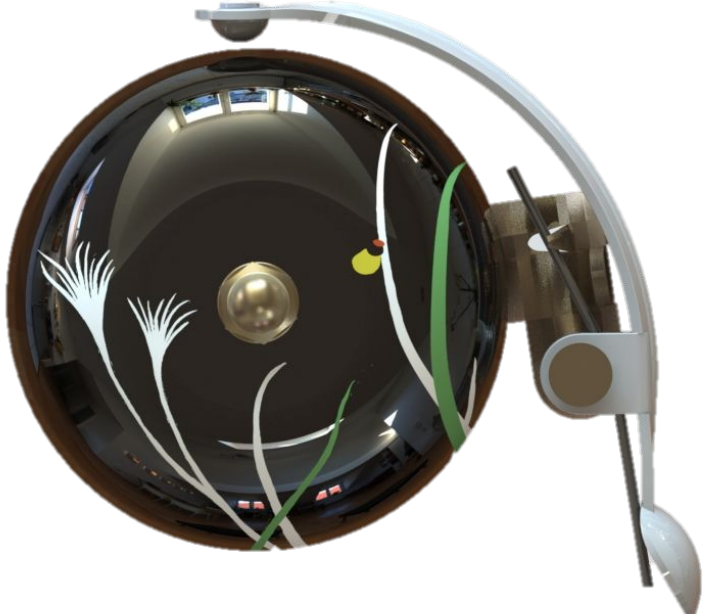
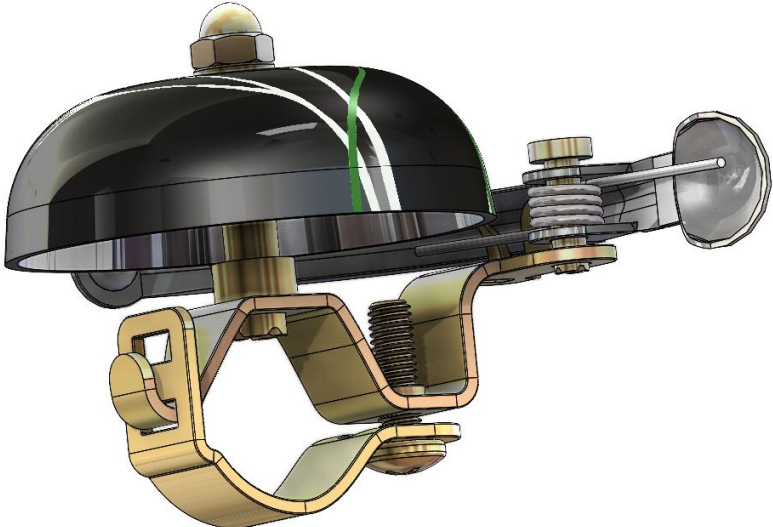
PROPRIETARY AND CONFIDENTIAL THE INFORMATION CONTAINED HEREIN IS THE SOLE PROPERTY OF THE	TOLERANCES UNLESS OTHERWISE SPECIFIED	MATERIAL STAINLESS STEEL FINISH SATIN	UNIVERSITY OF ILLINOIS URBANA-CHAMPAIGN
---	--	--	--

# MOST DIFFICULT PART: *LEVER*



- Profile sweep with ridge along arc path
- Loft w/ guide curves to flatten out ridge
- Dome feature at each end

# REAL ITEM VS. MODEL



# NOTICEABLE DIFFERENCE: WONKY BENT TABS

